

8MP WDR (Motorized) VF Vandal-resistant Network IR Fixed Dome Camera

IPC3238SR3-DVPZ



Key Features

Optics

- Day/night functionality
- Smart IR, up to 30m (98ft) IR distance
- Up to 120dB Optical WDR (Wide Dynamic Range)
- 2D/3D DNR (Digital Noise Reduction)

Compression

- Ultra 265, H.264, MJPEG
- Triple streams
- ROI (Region of Interest)
- 9:16 corridor mode

Network

- ONVIF Conformance

Structure

- Support PoE power supply
- Built-in PoE splitter that outputs DC 12V
- Wide temperature range: -40°C ~ 60°C (-40°F ~ 140°F)

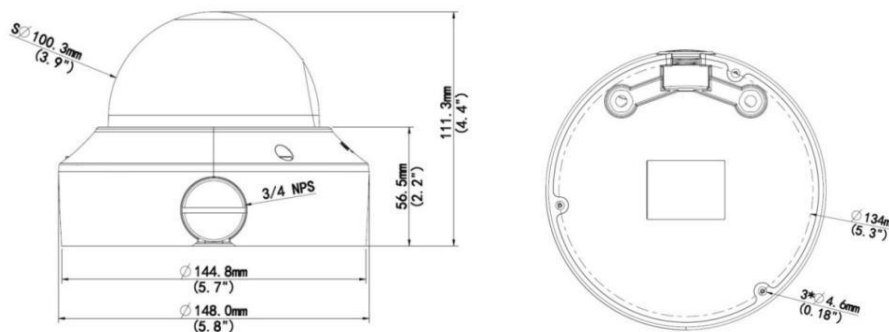
- Wide voltage range of $\pm 25\%$
- IK10 vandal resistant
- IP67
- 3-Axis

Specifications

IPC3238SR3-DVPZ																
Camera																
Sensor	1/2", 8.0 megapixel, progressive scan, CMOS															
Lens	2.8 ~ 12mm, AF automatic focusing and motorized zoom lens															
DORI Distance	<table border="1"> <thead> <tr> <th>Lens (mm)</th> <th>Detect (m)</th> <th>Observe (m)</th> <th>Recognize (m)</th> <th>Identify (m)</th> </tr> </thead> <tbody> <tr> <td>2.8</td> <td>63</td> <td>25.2</td> <td>12.6</td> <td>6.3</td> </tr> <tr> <td>12</td> <td>270</td> <td>108</td> <td>54</td> <td>27</td> </tr> </tbody> </table>	Lens (mm)	Detect (m)	Observe (m)	Recognize (m)	Identify (m)	2.8	63	25.2	12.6	6.3	12	270	108	54	27
	Lens (mm)	Detect (m)	Observe (m)	Recognize (m)	Identify (m)											
	2.8	63	25.2	12.6	6.3											
12	270	108	54	27												
Angle of View (H)	114.8° ~ 47.3°															
Angle of View (V)	75.3° ~ 20.4°															
Angle of View (O)	141.2° ~ 55.8°															
Adjustment angle	<table border="1"> <thead> <tr> <th>Pan: 0° ~ 360°</th> <th>Tilt: 0° ~ 80°</th> <th>Rotate: 0° ~ 360°</th> </tr> </thead> <tbody> <tr> <td></td> <td></td> <td></td> </tr> </tbody> </table>	Pan: 0° ~ 360°	Tilt: 0° ~ 80°	Rotate: 0° ~ 360°												
Pan: 0° ~ 360°	Tilt: 0° ~ 80°	Rotate: 0° ~ 360°														
Shutter	Auto/Manual, 1 ~ 1/100000s															
Min. Illumination	Colour: 0.003Lux (F1.5, AGC ON) 0Lux with IR															
IR Range	Up to 30m (98ft) IR range															
Day/Night	IR-cut filter with auto switch (ICR)															
S/N	>52dB															
Defog	Digital Defog															
WDR	120dB															
Video																
Video Compression	Ultra 265, H.264, MJPEG															
Frame Rate	Main Stream: 8MP (3840*2160), Max 20fps; 5MP (2592*1944), Max 30fps; 5MP (2944*1656), Max 30fps; 4MP (2560*1440), Max 30fps; 2MP (1920*1080), Max 30fps; Sub Stream: 2MP (1920*1080), Max 30fps; Third Stream: D1 (720*576), Max 30fps															
9:16 Corridor Mode	Supported															
BLC	Supported															
HLC	Supported															
OSD	Up to 8 OSDs															
ROI	Up to 8 areas															
Privacy Mask	Up to 8 areas															
Motion Detection	Up to 4 areas															
Audio																
Audio Compression	G.711															
Two-way audio	Supported															
Suppression	Supported															

Sampling Rate	8KHZ
Storage	
Edge Storage	Micro SD, up to 256GB
Network Storage	ANR
Network	
Protocols	IPv4, IGMP, ICMP, ARP, TCP, UDP, DHCP, PPPoE, RTP, RTSP, RTCP, DNS, DDNS, NTP, FTP, UPnP, HTTP, HTTPS, SMTP, 802.1x, SNMP, QoS
Compatible Integration	ONVIF (Profile S, Profile G, Profile T), API
Interface	
Audio I/O	Audio cable
	Input: impedance 35kΩ; amplitude 2V [p-p]
	Output: impedance 600Ω; amplitude 2V [p-p]
Alarm I/O	1/1
Network	1 RJ45 10M/100M Base-TX Ethernet
Video Output	1 BNC, impedance 75Ω; amplitude 1V [p-p]
General	
Power	DC 12V±25%, PoE (IEEE 802.3af)
	Power consumption: Max 8W
Dimensions (∅ x H)	∅148 x 111.3mm (∅5.8" x 4.4")
Weight	0.92kg (2.0lb)
Working Environment	-40°C ~ 60°C (-40°F ~ 140°F), Humidity: ≤95% RH (non-condensing)
Reset Button	Supported
Ingress Protection	IP67
Vandal Resistant	IK10

Dimensions



Zhejiang Uniview Technologies Co., Ltd.

Building No.10, Wanlun Science Park, Jiangling Road 88, Binjiang District, Hangzhou, Zhejiang, China (310051)

Email: overseasbusiness@uniview.com; globalsupport@uniview.com

<http://www.uniview.com>

©2019 Zhejiang Uniview Technologies Co., Ltd. All rights reserved.

*Product specifications and availability are subject to change without notice.